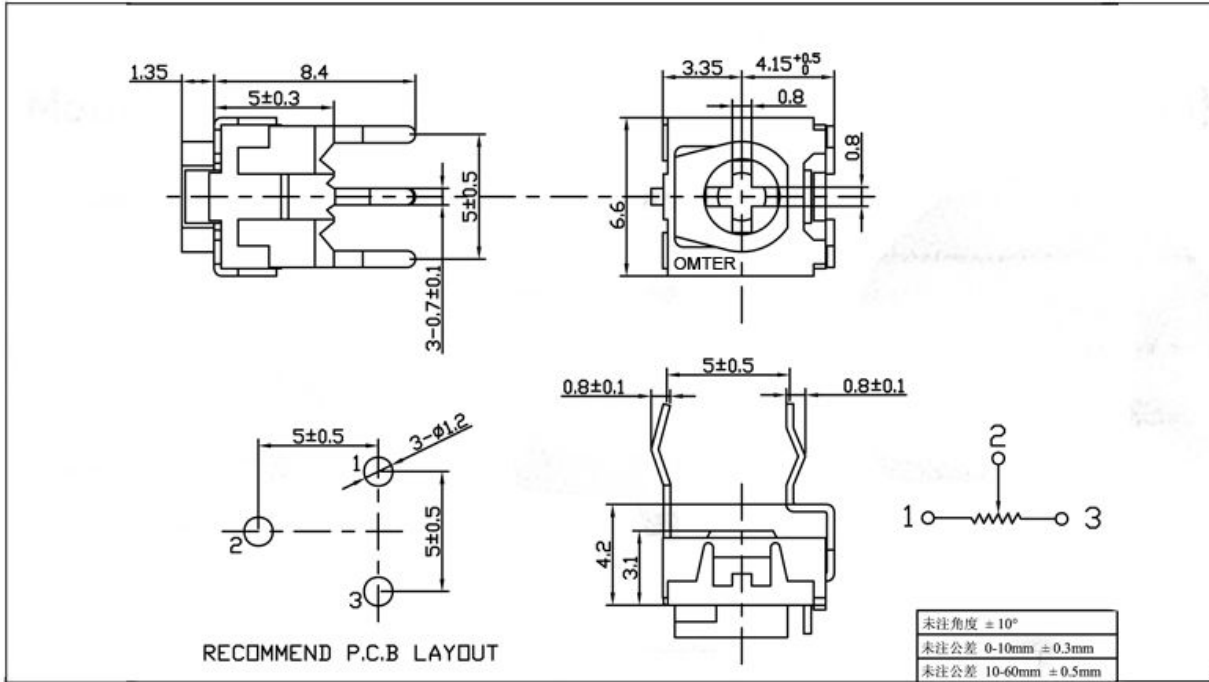
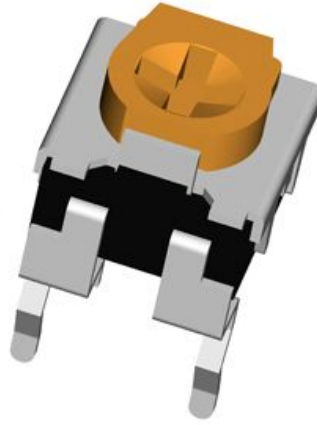


PRM-065

**Feature特点:**

- ◇3 Pins (三端型) ◇Horizontal Mount/Vertical Adjust (横卧/直调式)
- ◇RoHS Compliant (环保产品, 有RoHS认证)

参数特性General Specification:

总阻值范围 Nominal Resistance	100 Ω to 1M Ω
标准阻值误差 Resistance Tolerance	± 30% standard
残留阻值 Residual Resistance	Nominal Resistance less than 1K Ω; 5% max. of Nominal Resistance; Nominal Resistance more than 1K Ω; 2% max. of Nominal Resistance 标示阻值少于 1K Ω;最大为标示阻值的 5% ; 标示阻值大于 1K Ω;最大为标示阻值的 2%
线性 Taper	Linear (B)
额定功率 Power Rating	0.1W
使用电压 Operating Voltage	Less than (少于) 50V
旋转寿命 Rotational Life	Maximum +/-15% change in Nominal Resistance after 100 Cycles Unloaded 空载 100 圈后, 阻值变化最大为标示阻值之 +/-15%
负载寿命 Load Life	Maximum +/-5% change in Nominal Resistance after 3 hours loaded 加额定功率 3 小时后, 最大阻值变化为标示阻值的 +/-5%
机械强度 Mechanical Strength	Bakelite sheet not be broken down under pressure of 1Kg. cm maximum 电阻体受压最小 1 Kg.cm 压力不会破裂
旋转角度 Rotational Angle	210° ± 20°
扭转力矩 Torque	20 ~ 250 g.cm
止挡强度 End-Stop Strength	500g.cm (Min.)
使用温度 Operating Temperature	-25℃~ +85℃
温度特性 Temperature Characteristics	+5 ~ -30% change in resistance after 5 hours at 70 °C
湿度特性 Humidity Characteristics	Maximum 20% Change in Resistance after 350 hours at 40 °C and RH 90% loaded 加额定功率, 以 40℃ 温度及相对湿度 90% 的情况下 350