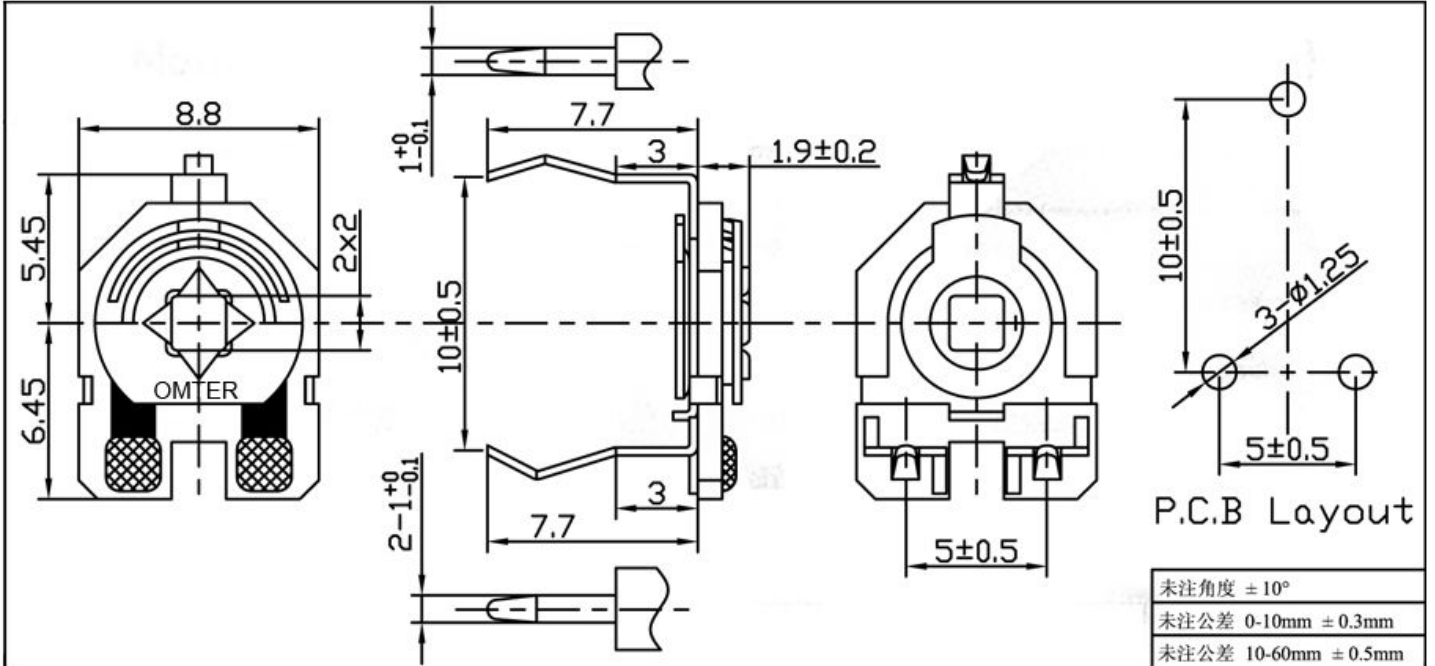
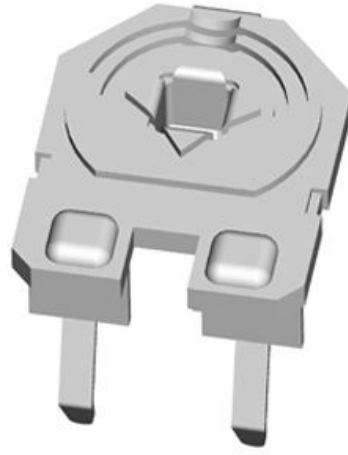


SC-085X

**Feature特点:**

- ◇3 Pins (三端型) ◇Vertical Adjust/ Horizontal Mount (直调/横卧式) ◇Square Slot (方孔)
- ◇RoHS Compliant (环保产品, 有RoHS认证)

参数特性General Specification:

总阻值范围 Nominal Resistance	100 Ω to 1M Ω
标准阻值误差 Resistance Tolerance	± 30% standard
残留阻值 Residual Resistance	Maximum 5% of Nominal Resistance, but less than 30 Ω
线性 Taper	Linear (B)
额定功率 Power Rating	0.3W
使用电压 Operating Voltage	Less than (少于) 100V
旋转寿命 Rotational Life	Maximum +/-15% change in Nominal Resistance after 50 Cycles Unloaded
负载寿命 Load Life	Maximum +/-5% change in Nominal Resistance after 3 hours loaded
旋转角度 Rotational Angle	270° ± 20°
扭转力矩 Torque	60 ~ 300 g.cm
止挡强度 End-Stop Strength	500g.cm (Min.)
使用温度 Operating Temperature	-25℃~ +80℃
温度特性 Temperature Characteristics	0 ± 200 ppm/℃(-30℃ ~ 100℃)
湿度特性 Humidity Characteristics	Maximum ± 5% Change in Resistance after 500 hours at 40 °C and RH 95% loaded
焊锡方式 Soldering Method	Hand Soldering
焊锡温度 Soldering Temperature	240℃~260℃