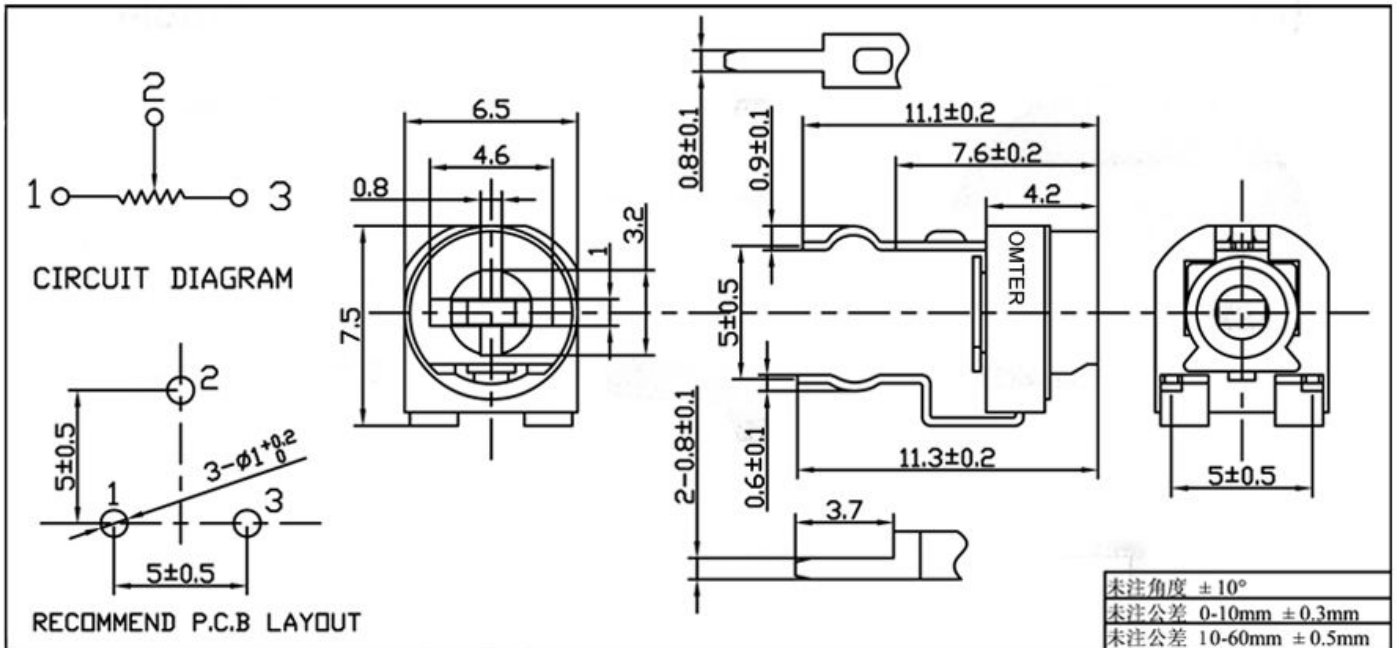
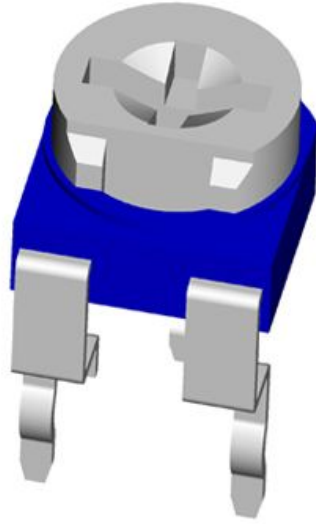


RM-065

**Feature特点:**

- ◇ 3 Pins (三端型) ◇ Horizontal Mount/Vertical Adjust (横卧/直调式)
- ◇ RoHS Compliant (环保产品, 有RoHS认证)

参数特性 General Specification:

总阻值范围 Nominal Resistance	100 Ω to 1M Ω
标准阻值误差 Resistance Tolerance	± 30% standard
残留阻值 Residual Resistance	Maximum 5% of Nominal Resistance but less than 30 Ω , whichever is lower
线性 Taper	Linear (B)
额定功率 Power Rating	0.1W
使用电压 Operating Voltage	Less than (少于) 50V
旋转寿命 Rotational Life	Maximum +/-15% change in Nominal Resistance after 100 Cycles Unloaded
负载寿命 Load Life	Maximum +/-5% change in Nominal Resistance after 3 hours loaded
机械强度 Mechanical Strength	Bakelite sheet not be broken down under pressure of 1Kg. cm maximum
旋转角度 Rotational Angle	200° ± 20°
扭转力矩 Torque	60 ~ 300 g.cm
止挡强度 End-Stop Strength	500g.cm (Min.)
使用温度 Operating Temperature	-5°C ~ +40°C
温度特性 Temperature Characteristics	+5 ~ -30% change in resistance after 5 hours at 70° C
湿度特性 Humidity Characteristics	Maximum 20% Change in Resistance after 350 hours at 40° C and RH 90% loaded