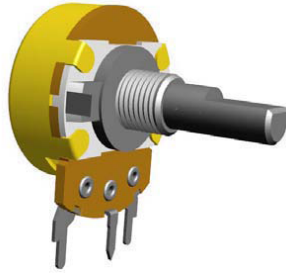


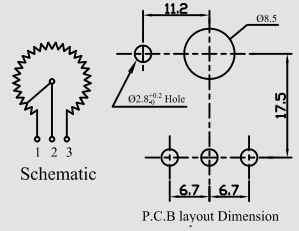
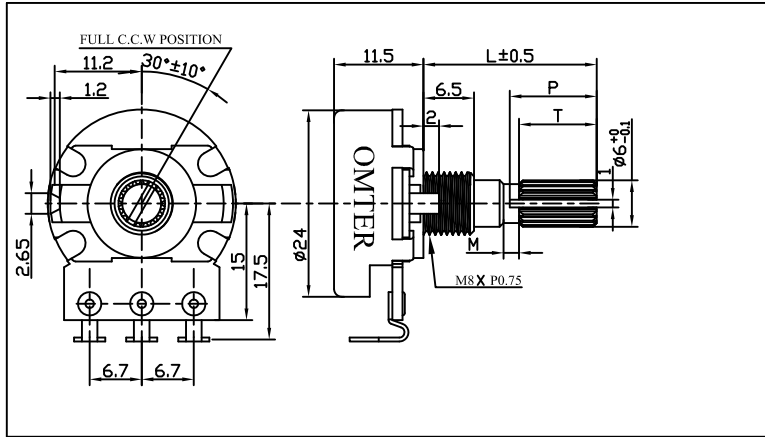
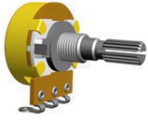
F-24K 系列 金属轴旋转型电位器
F-24K Series Metal Shaft Rotary POT.



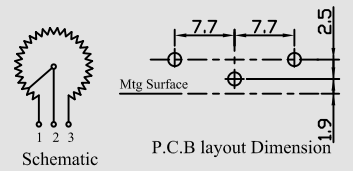
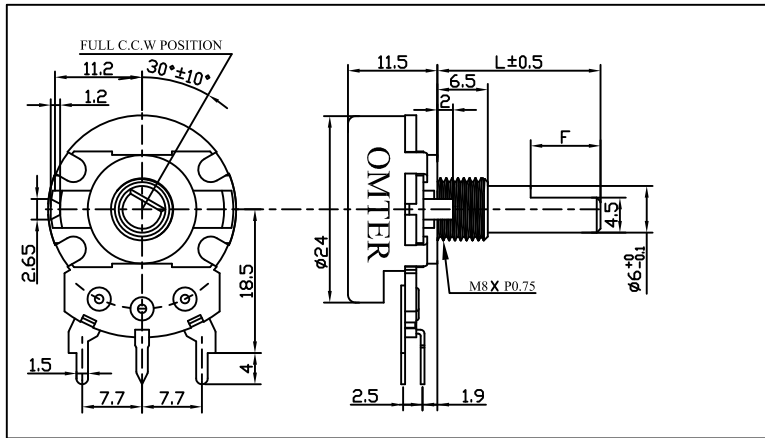
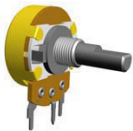
轴的类型 Shaft Style

<p>F Shaft Style</p> <table border="1" style="margin-top: 10px; width: 100%; text-align: center;"> <tr><td>L1</td><td>8.5</td><td>13.5</td><td>18.5</td></tr> <tr><td>A</td><td>7</td><td>12</td><td>12</td></tr> <tr><td>L</td><td>15</td><td>20</td><td>20</td></tr> </table>	L1	8.5	13.5	18.5	A	7	12	12	L	15	20	20	<p>KD Shaft Style</p> <p style="text-align: center;">18 Teeth Knurl 锌合金</p> <table border="1" style="margin-top: 10px; width: 100%; text-align: center;"> <tr><td>L1</td><td>3.5</td><td>8.5</td><td>13.5</td><td>18.5</td></tr> <tr><td>L</td><td>10</td><td>15</td><td>20</td><td>25</td></tr> </table>	L1	3.5	8.5	13.5	18.5	L	10	15	20	25	<p>KQ Shaft Style</p> <p style="text-align: center;">18 Teeth Knurl 铝合金</p> <table border="1" style="margin-top: 10px; width: 100%; text-align: center;"> <tr><td>T</td><td>2.3</td><td>3.5</td><td>6</td><td>7</td><td>8</td><td>9.9</td><td>12.1</td><td>12</td></tr> <tr><td>M</td><td>0.3</td><td>0.5</td><td>1</td><td>1.5</td><td>1.5</td><td>1.5</td><td>2</td><td>2</td></tr> <tr><td>L</td><td>10</td><td>12</td><td>15</td><td>17</td><td>18</td><td>20</td><td>25</td><td>30</td></tr> </table>	T	2.3	3.5	6	7	8	9.9	12.1	12	M	0.3	0.5	1	1.5	1.5	1.5	2	2	L	10	12	15	17	18	20	25	30
L1	8.5	13.5	18.5																																																
A	7	12	12																																																
L	15	20	20																																																
L1	3.5	8.5	13.5	18.5																																															
L	10	15	20	25																																															
T	2.3	3.5	6	7	8	9.9	12.1	12																																											
M	0.3	0.5	1	1.5	1.5	1.5	2	2																																											
L	10	12	15	17	18	20	25	30																																											
<p>KY Shaft Style</p> <p style="text-align: center;">18 Teeth Knurl 塑胶轴</p> <table border="1" style="margin-top: 10px; width: 100%; text-align: center;"> <tr><td>L1</td><td>3.5</td><td>8.5</td><td>13.5</td><td>18.5</td></tr> <tr><td>L</td><td>10</td><td>15</td><td>20</td><td>25</td></tr> </table>	L1	3.5	8.5	13.5	18.5	L	10	15	20	25	<p>S Shaft Style</p> <table border="1" style="margin-top: 10px; width: 100%; text-align: center;"> <tr><td>L1</td><td>3.5</td><td>8.5</td><td>13.5</td><td>18.5</td><td>23.5</td><td>33.5</td></tr> <tr><td>L</td><td>10</td><td>15</td><td>20</td><td>25</td><td>30</td><td>40</td></tr> </table>	L1	3.5	8.5	13.5	18.5	23.5	33.5	L	10	15	20	25	30	40	<p>R Shaft Style</p> <table border="1" style="margin-top: 10px; width: 100%; text-align: center;"> <tr><td>L1</td><td>3.5</td><td>8.5</td><td>13.5</td><td>18.5</td><td>23.5</td><td>33.5</td></tr> <tr><td>L</td><td>10</td><td>15</td><td>20</td><td>25</td><td>30</td><td>40</td></tr> </table>	L1	3.5	8.5	13.5	18.5	23.5	33.5	L	10	15	20	25	30	40											
L1	3.5	8.5	13.5	18.5																																															
L	10	15	20	25																																															
L1	3.5	8.5	13.5	18.5	23.5	33.5																																													
L	10	15	20	25	30	40																																													
L1	3.5	8.5	13.5	18.5	23.5	33.5																																													
L	10	15	20	25	30	40																																													

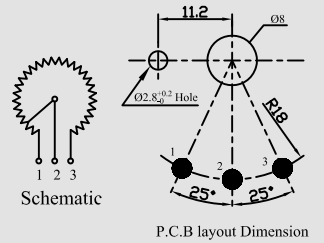
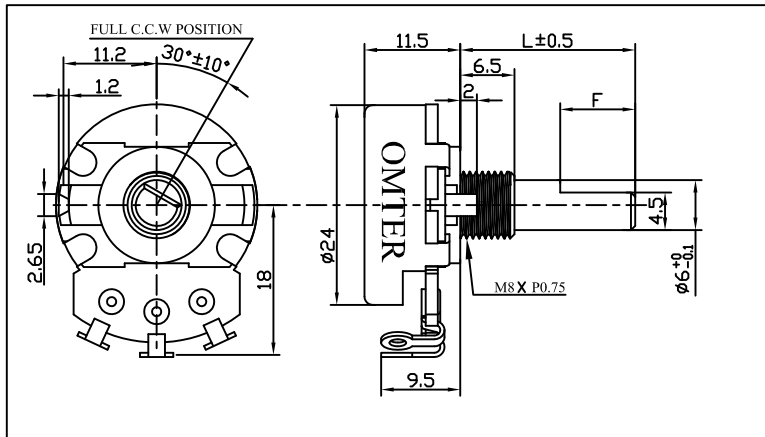
F24KNP8



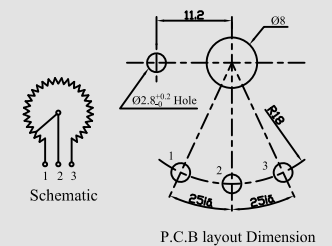
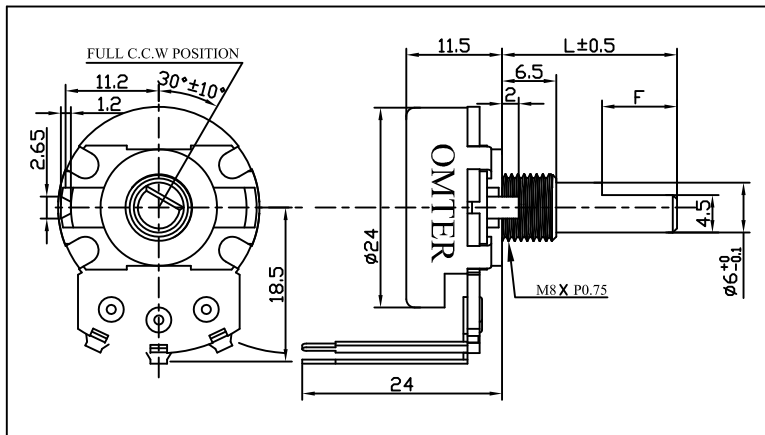
F24KN



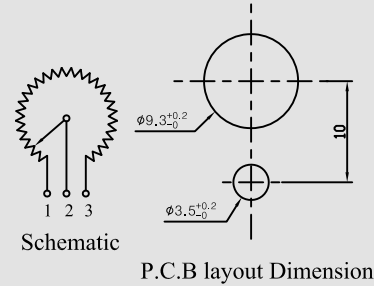
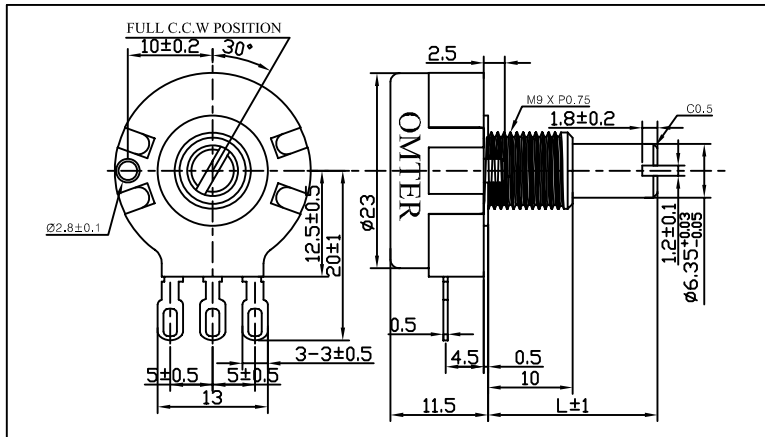
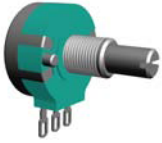
F24KNP



F24KNP2



F24KN5



F-24 Carbon Potentiometer Series

MAIN SPECIFICATION	
Total resistance	500Ω- 1MΩ
Resistance tolerance	±20%
Resistance pattern	A,B,C,D
Max operation voltage	Linear B: AC 500V; Other: AC 250V
Power Rate	Linear B: 0.5W; Other: 0.25W
Noise	Less than 100mV
Withstanding voltage	1 minute at AC 500V
Insulation resistance	More than 100MΩ at DC 500V
Residual Resistance Value	Term.1~2: Less than 10Ω
	Term.2~3: Less than 10Ω
Switch return route	S.P.S.T.
Switch contact resistance	Less than 50mΩ
Switch power rate	1.0A at AC/DC 125V
MECHANICAL	
Total Rotation Angle	300±10(degree)
Rotation Torque	30~200 gf.cm
Shaft Stop Strength	10.0Kgf.cm Min
push-pull strength	10.0 kgf Min
Switch rotation angle	50±10(degree)
Switch torque	150~800gf.cm
Durable performance	
Rotational Life	10000 Cycles