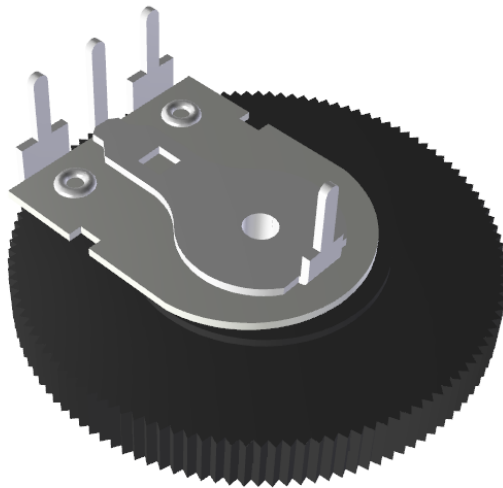


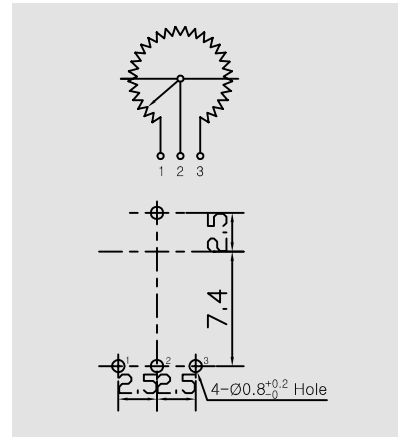
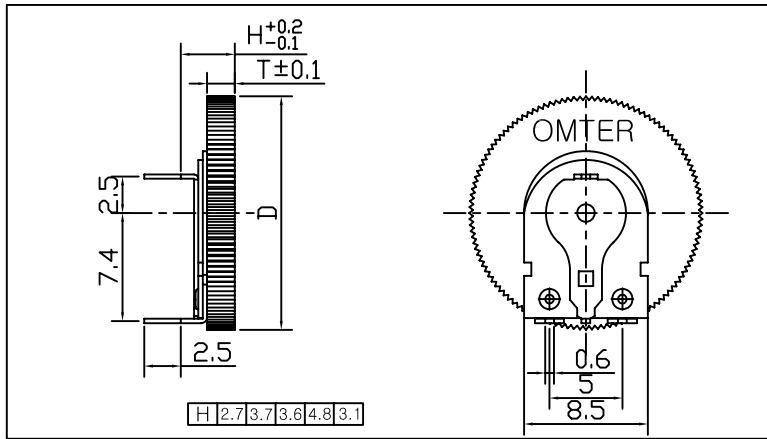
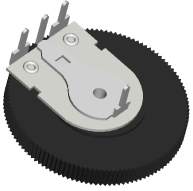
F-09N 系列 拇指驱动型电位器
F-09N Series Thumbwheel Driving Potentiometer



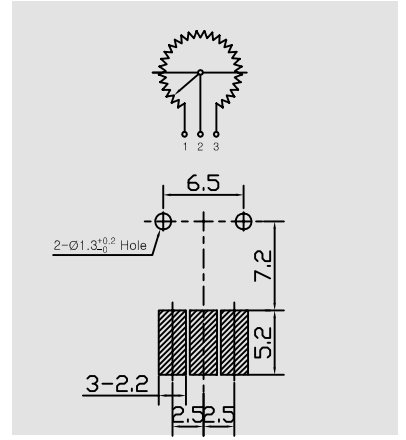
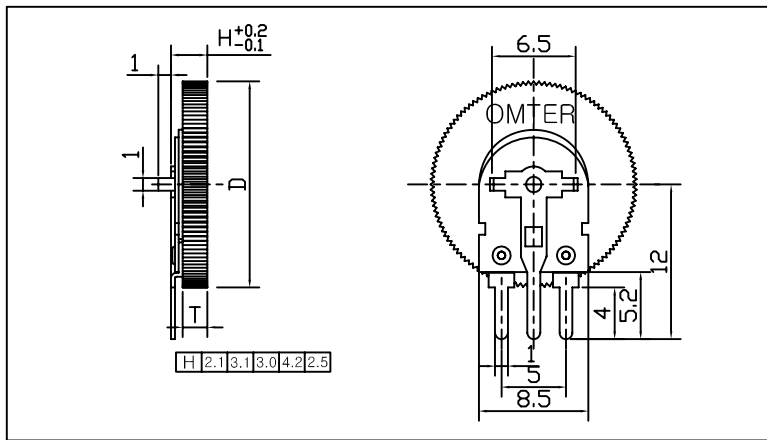
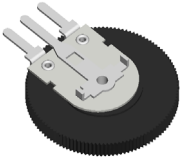
参数特性 *General Specification:*

MAIN SPECIFICATION	
全阻值: Total Resistance	500Ω- 500KΩ
全阻值公差 Total Resistance tolerance:	±20%
抵抗变化特性: Resistance Tape	A,B,C,D
最大工作电压: Max. operation voltage	0.05W
额定功率: (W) Ratings Power	Linear B: AC 0.1W; Other: 0.05W
杂音: Noise	Less than 100mV
耐雷壓	1minute at AC 100 V
绝缘抵抗: Insulation resistance	More than 100MΩ at DC 100V
残留阻值: Residual Resistance Value	Term.1~2: Less than 20Ω
	Term.2~3: Less than 20Ω
MECHANICAL	
全回转角度: Total Rotation Angle	220±5(degree)
旋转力矩: Rotation Torque	10~150 gf.cm
旋转止动强度: Shaft Stop Strength	0.8Kgf.cm Min
推拉强度: push-pull strength	0.5kgf Min Pull: 0.2kgf Min
Durable performance	
旋转寿命: Rotational life	10000Cycle

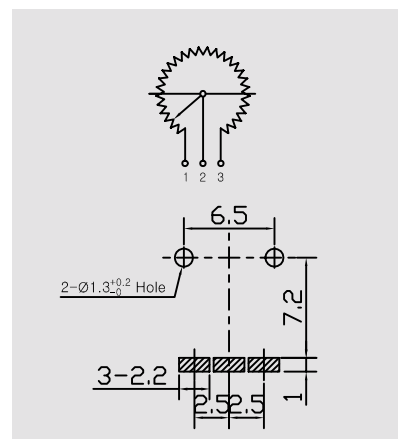
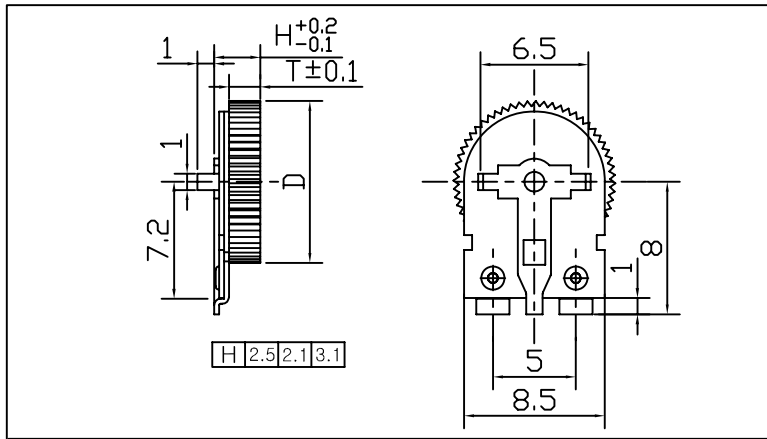
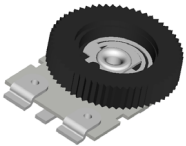
F-09N



F-09NP



F-09NP-2



F-09NP-3

