

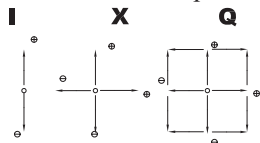
CV6A 系列操纵杆  
CV6A series joystick



命名法 **Name regulation:**

S CV 6A —Y Q —0 4 R2 G —B M —R 0000  
1 2 3 4 5 6 7 8 9 10 11 12 13

- 1.S指特殊定制的机械规格  
S: Special for the Mechanical specification
- 2.CV指低价位开关型操纵杆系列  
CV: Switch joystick with low price
- 3.6A指底部外壳的大概尺寸，以CM为单位  
6A is the rough size of the bottom, the unit is CM
- 4.机械类型Mechanical Type:  
X: 单轴调节型 X: 1-axis adjustment type  
Y: 双轴调节型 Y: 2-axis adjustment type
- 5.操纵杆的可选操作方向，如下图所示:  
Direction of the joystick  
X: 只能在X、Y轴上十字操作  
X: just can be "+" direction on X and Y axis  
Q: 360°方形操作 (标准型)  
Q: 360 degree square operation (standard type)  
I: 只能在Y轴上I型操作  
I: just can be "I" operation on Y axis



- 6. 安装的电位器个数 Potentiometer quantity  
0.....不安装电位器  
0.....without the potentiometer
- 7. 安装开关的个数 Switch quantity  
2.....安装2个开关  
2.....2 switches

- 4.....安装4个开关  
4.....4Switches
- 5.....安装5个开关  
5.....5 Switches
- 8. 弹簧复位装置 Spring Return Installment  
R1: 单轴调节带弹簧复位(X轴或Y轴)  
R1: 1-axis with spring return (X axis or Y axis)  
R2: 双轴调节带弹簧复位(X轴和Y轴)  
R2: 2-axis with spring return(X axis and Y axis)
- 9. 安装部件 Components  
G: 带防尘橡皮罩  
G: within the dust-proof rubber cover
- 10. 把手带按钮开关、开关可选颜色  
Handle with button switch, the color can choose  
B:Black Y:Yellow G:Green  
R:Red O:Orange U:Blue
- 11. 把手按钮开类型 The type of the button switch  
M: 触发型 L: 切换型  
M: triggering type L: converted type
- 12. 把手按钮开关带灯，指示灯可选颜色  
The handle can be within the lamp and color can be choose  
W: 白色 Y:黄色 R: 红色 O:橙色 G: 绿色 U:蓝色  
W:white Y:yellow R:red O:orange G:green U:blue
- 13. 四位数，用于特殊的客户需求。  
For clients' special requirement.

机械性能 mechanical character

操纵杆的控制范围: Control range of the joystick

X.Y两轴: 自中心位置起约±12°

X.Y two axis: Starting from the central location approx ±12°

操作压力 Operating pressure:

带弹簧自动复位装置 with spring return device

X.Y轴: 约 2.2N ~ 1.2N 2.8N (220gf ~ 280gf)

X.Y axis: approx 2.2N ~ 2.8N (200gf~280gf)

操作温度范围: Operating temperature range: -20°C ~ +65°C

振动: Vibration: 10 ~ 55Hz 98m/S<sup>2</sup>

冲击: Impact: 294m/S<sup>2</sup>

防护等级: IP65 (安装面板以上) Protection class: IP65 (above the mounting panel)

预期寿命: 约 200,000 次 Life expectancy: approximately 200,000 times

质量: 约 40g Quality: about 40g

电气性能: Electrical function

把手按钮开关触点容量 Handle button switch contact capacity: 50VDC/0.1A

微动开关触点容量 Micro Switch contact capacity: 250VAC/5A

发光二极管 (LED) 额定值 Light emitting diode (LED) rating: 2VDC, 20mA

可选特殊规格: Optional special specifications

特殊机械结构; 特殊把手; 特殊杆高; 特殊弹簧复位力; 特殊防尘罩

Special mechanical structure; special handle; special rod length; special spring return force; special dust cover

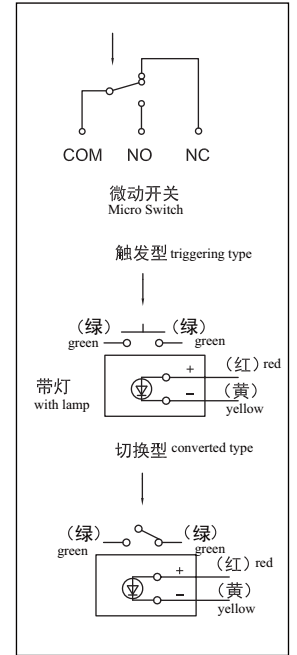
把手按钮开关可选; 微动开关触点容量可选 (250VAC/10A); 信号级开关可选。如有批量, 可提供特定OEM产品

Could choose handle button switch; could choose micro switch contact capacity (250VAC/10A); could choose signal level switch. If in bigger quantity, could provide specific OEM products

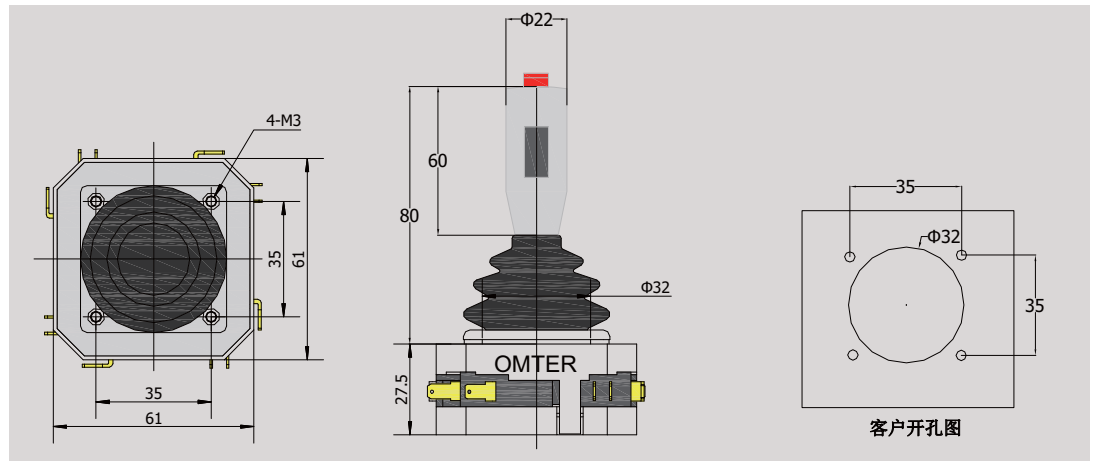
如有批量, 可提供特定OEM产品

开关接线示意图

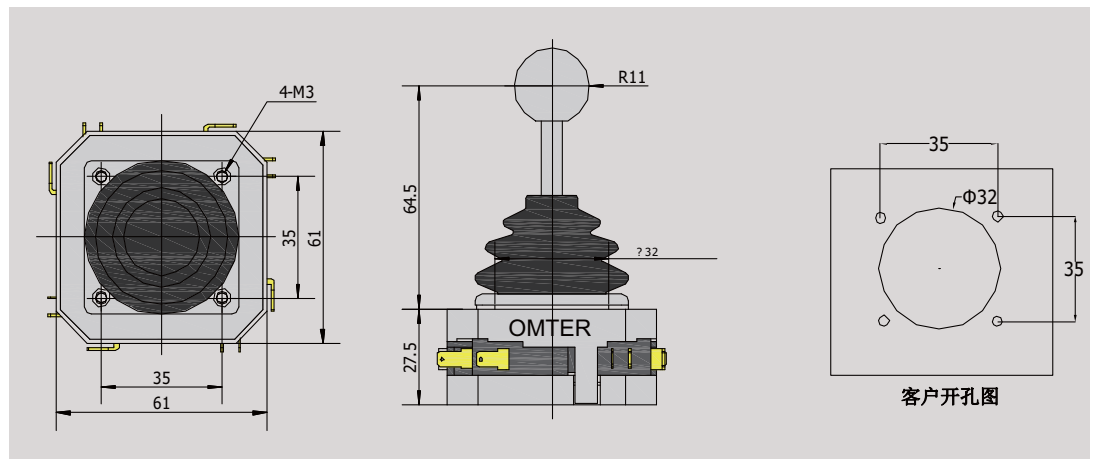
Switch wiring diagram:



SCV6A-YQ-05R2G-RM



CV6A-XI-02R2G





CV6A-YQ-04R2G

