

温州联宝贸易有限公司

Wenzhou Linp Trading co., Ltd.

乐清市欧姆特尔电子科技有限公司

Yueqing Omtel electronic & technology co., ltd

OM900 系列工业手柄

OM900 series industry handle



产品特点

- ◀ 弹簧自动复位。
Spring automatic reset.
- ◀ 三轴带按钮任意操作。
Three axis with button arbitrary operation.
- ◀ 可根据需要选择输出电压范围，可选择RS232或USB接口输出。
Output voltage range can be selected according to the requirement, could choose RS232 or USB connector output.

应用范围Application scope

该系列产品主要应用于电动轮椅车、视频控制设备。

The products are mainly used in electric wheelchairs, video control equipment.

技术参数Technical parameter

机械参数Mechanical parameter

摇动角度: $\pm 25^\circ$
Swing angle: $\pm 25^\circ$
使用寿命: 大于1000 万次
Service life: Is bigger than 10,000,000 times
操作力: 15N (最大)
Operation: 15N (maximum)
限位力: 50N
Limit strength: 50N
重量: 125g
Weight: 125g

电气参数Electrical parameter

电源电压: 5Vdc
Power supply voltage: 5Vdc
总电流: $<20\text{mA}$
The total current: $<20\text{mA}$
线性公差: $\pm 5\%$
Linear tolerance: $\pm 5\%$
电源电压: $\text{DC}5\text{V} \pm 10\%$
Power supply voltage: $\text{DC}5\text{V} \pm 10\%$
负载电阻: $>10\text{K } \Omega$
Load resistance: $>10\text{K } \Omega$

环境参数Environmental parameter

工作温度范围: $-40^\circ\text{C} \sim +80^\circ\text{C}$
Operation temperature range: $-40^\circ\text{C} \sim +80^\circ\text{C}$
防护等级: IP65
Protection grade: IP65

产品选型Product selection

OM900 - □□□

|

|

①

②

分项选型说明Sub-item selection instructions

① 产品系列号Product series number

OM900系列工业手柄，三轴霍尔型，带按钮，弹簧自动复位，无方向开关，安装孔距尺寸36mm*36mm
主要用在轮椅车控制视频控制和工程车控制

OM900 series industry handle, three axis Hall type, with button, spring automatic reset, without direction switch, the installment pitch of hole size is 36mm*36mm. Mainly used in the wheelchair control ,video control and engineering vehicle control

② 输出信号Output signal

H51= 霍尔型，输入电压5Vdc，10% ~50% ~90%Vdc 电压输出

H51= Hall type, the input voltage 10% ~ 5Vdc, 50% ~ 90%Vdc voltage output

H52= 霍尔型，输入电压5Vdc，0% ~50% ~100%Vdc 电压输出

H52= Hall type, the input voltage 0% ~ 5Vdc, 50% ~ 100%Vdc voltage output

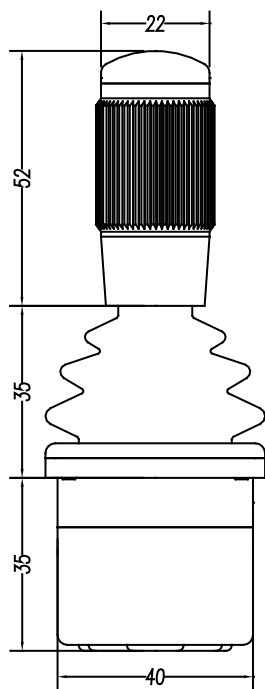
RS232=RS232 串口数字信号输出

RS232=RS232 serial digital signal output

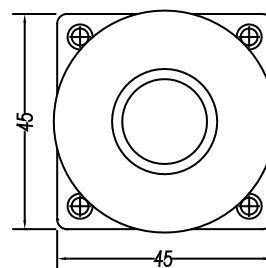
USB=USB 接口数字信号输出

USB=USB connection digital signal output

外形尺寸External dimensions

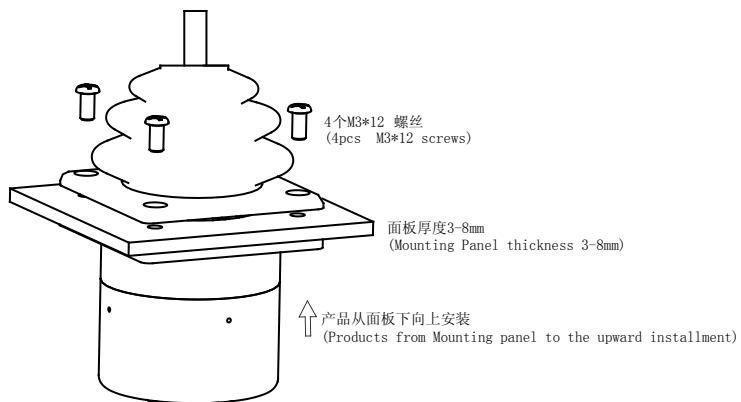


正视图Front view

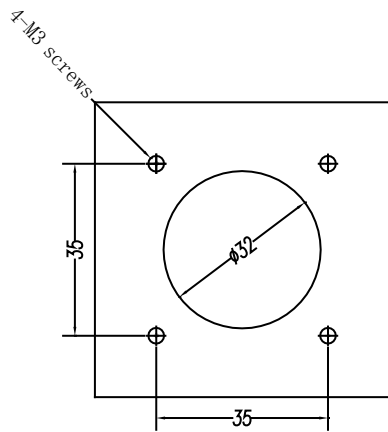


俯视图Vertical view

机械安装The machinery installment



安装示意图Installation diagram



安装面板开孔示意图Mounting panel to the open hole schematic drawing

电气安装Electrical installation

| 线色 | 线序 | 功能 |
|----|----|-------|
| 红 | 1 | +5VDC |
| 黑 | 2 | 0V |
| 黄 | 3 | X-OUT |
| 绿 | 4 | Y-OUT |
| 蓝 | 5 | Z-OUT |
| 棕 | 6 | 开关输出 |

| Line color | Line No. | Function |
|------------|----------|---------------|
| Red | 1 | +5VDC |
| Black | 2 | 0V |
| Yellow | 3 | X-OUT |
| Green | 4 | Y-OUT |
| Blue | 5 | Z-OUT |
| Brown | 6 | Switch output |