

温州联宝贸易有限公司

Wenzhou Linp Trading co., ltd.

乐清市欧姆特尔电子科技有限公司

Yueqing Omtter electronic technology co., ltd.

OM35指拨轮技术规格

OM35 The technical specifications of Finger wheel



产品特点Product characteristic.

- ◀ 可安装在各种操作手柄上。
Can be installed in a variety of operating handle
- ◀ 单个大拇指操作。前后二个方向连续调节。
Single thumb operation, front and rear the two directions continuously adjustable
- ◀ 弹簧自动复位。
Spring automatic return
- ◀ 霍尔无接触检测。
Hall no contact detection

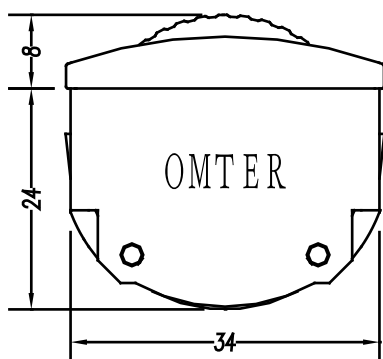
应用范围Application scope

该系列产品主要应用于各种操作手柄上，输出0.5V~2.5V~4.5V电压。
This series of products are mainly used in a variety of operating handle,
output 0.5V`2.5V`4.5V voltage.

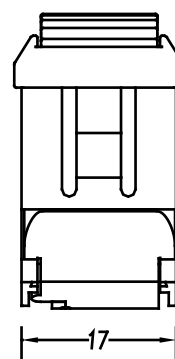
技术参数 Technical parameter

输入电压Input voltage: :	5VDC
输出Output:	0.5V~2.5V~4.5V
最大电源电流Maximum supply current:	10mA
摇动角度Swing angle:	$\pm 42^\circ$
使用寿命Service life:	more than 100,000 times
行程内操作力	
Stroke within the operating force:	1.8N (max)
重量Weight:	15g
防护等级Protection rank:	IP60
温度范围Operating temperature scope:	$-40^\circ\text{C} \sim +80^\circ\text{C}$

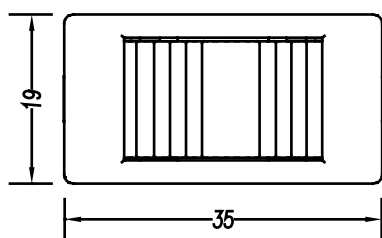
外形尺寸 External dimensions



正视图 Front view



侧视图 Lateral view



俯视图 Vertical view

电气安装Electrical installment

线色	线序	功能
红	1	5V
黑	2	0V
绿	3	OUT

wire color	Number	Function
red	1	5V
black	2	0V
green	3	OUT